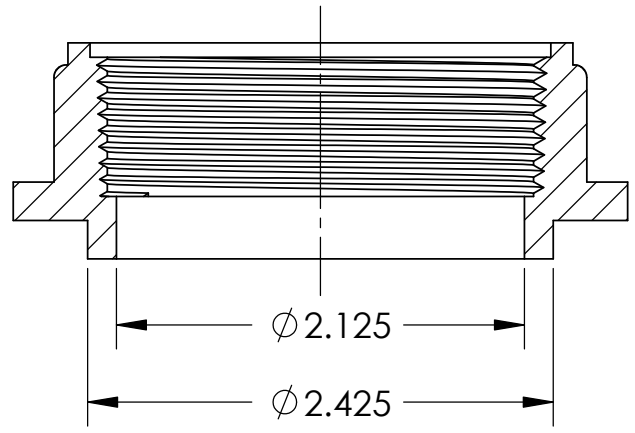
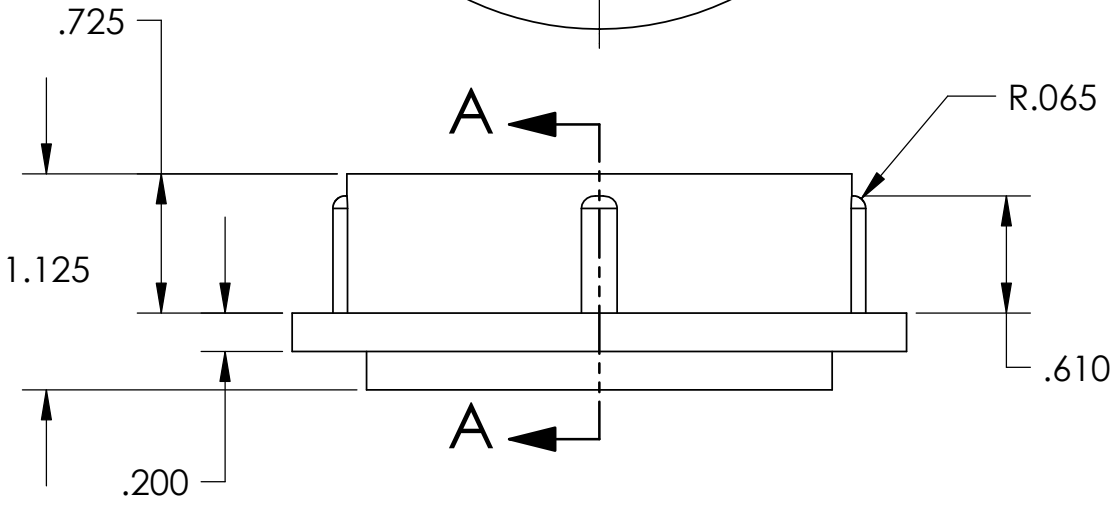
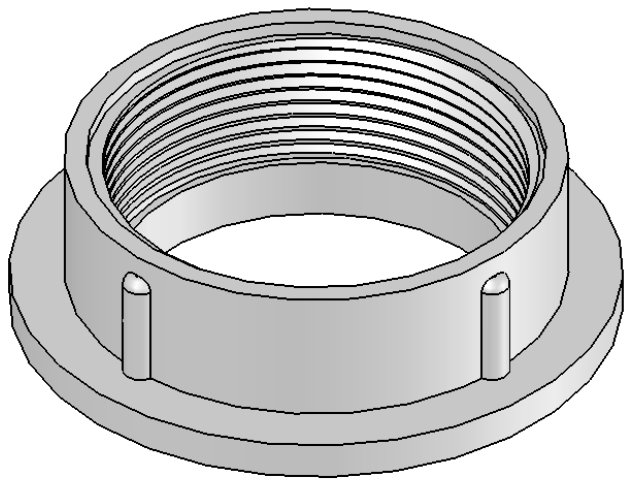
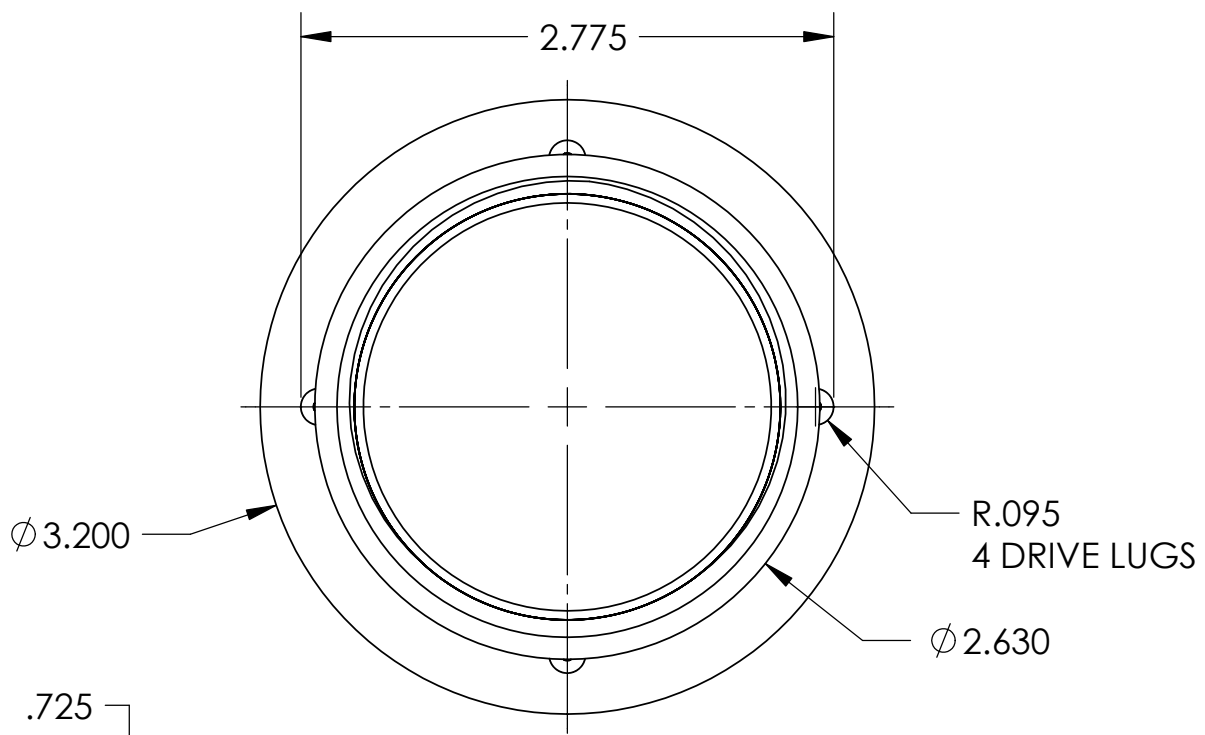


ZONE	REV.	REVISIONS DESCRIPTION	DATE	APPROVED



SECTION A-A

PROPRIETARY AND CONFIDENTIAL	UNLESS OTHERWISE SPECIFIED:	NAME	DATE	TITLE: 2" FPT RAISED	
	DIMENSIONS ARE IN INCHES	DRAWN	SMB	1/5/10	DWG. NO. 65 SWF
	TOLERANCES: FRACTIONAL \pm ANGULAR: MACH \pm BEND \pm TWO PLACE DECIMAL \pm	CHECKED			
THE INFORMATION CONTAINED IN THIS DRAWING IS THE SOLE PROPERTY OF CUSTOM PLASTICS. ANY REPRODUCTION IN PART OR AS A WHOLE WITHOUT THE WRITTEN PERMISSION OF CUSTOM PLASTICS IS PROHIBITED.	MATERIAL			SIZE A	SCALE: NONE
	DO NOT SCALE DRAWING			SHEET 1 OF 1	